



**Rack-Mount  
Digital/Analog AM Tx**

**NX Series**

# Agenda

- Building on the NX Series legacy
- Meet the New NX Low Power
- Tech Tour
- Q & A



**Jeff Welton**

Sales Manager -  
Central USA



**John Whyte**

Head of Marketing &  
Product Strategy



**Brooke  
McKenzie**

Engineer



**Alex Morash**

Head of Engineering

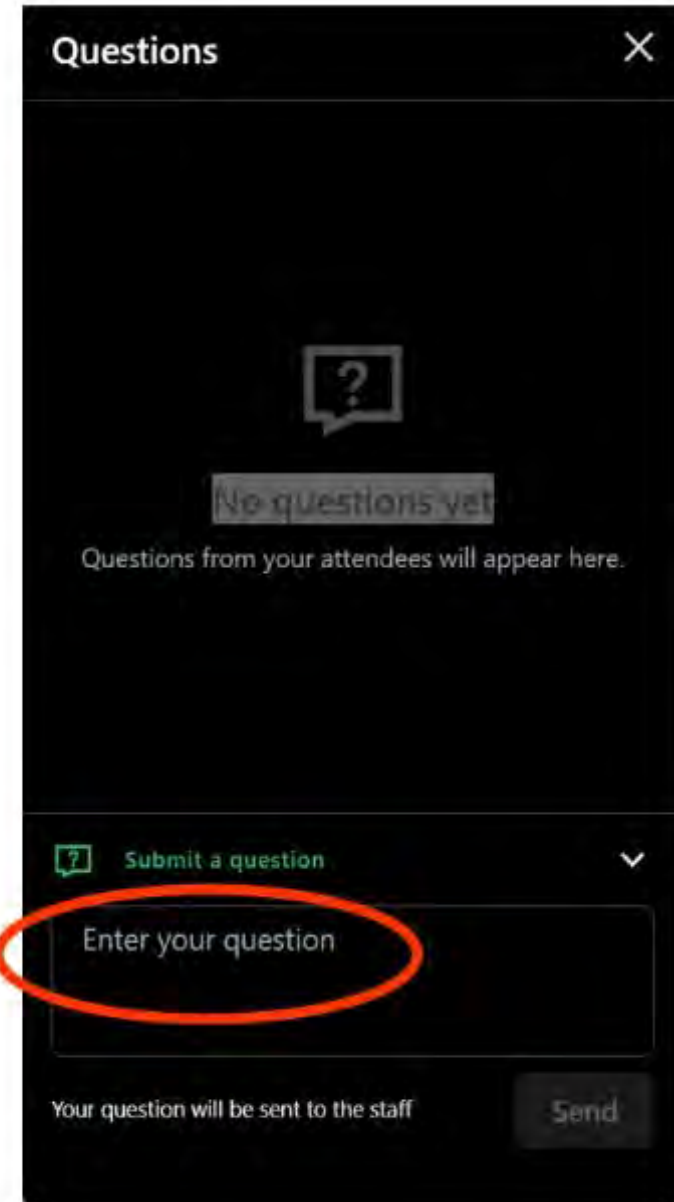
# Your questions please?



1. Find Questions symbol on the webinar control menu.
2. Please enter your questions in the text box of the webinar control panel window. (remember to press send)



Remember: The completion of a Nautel webinar qualifies for  $\frac{1}{2}$  SBE re-certification credit, identified under Category I of the Re-certification Schedule for SBE Certifications.



# Building on the NX Series Legacy

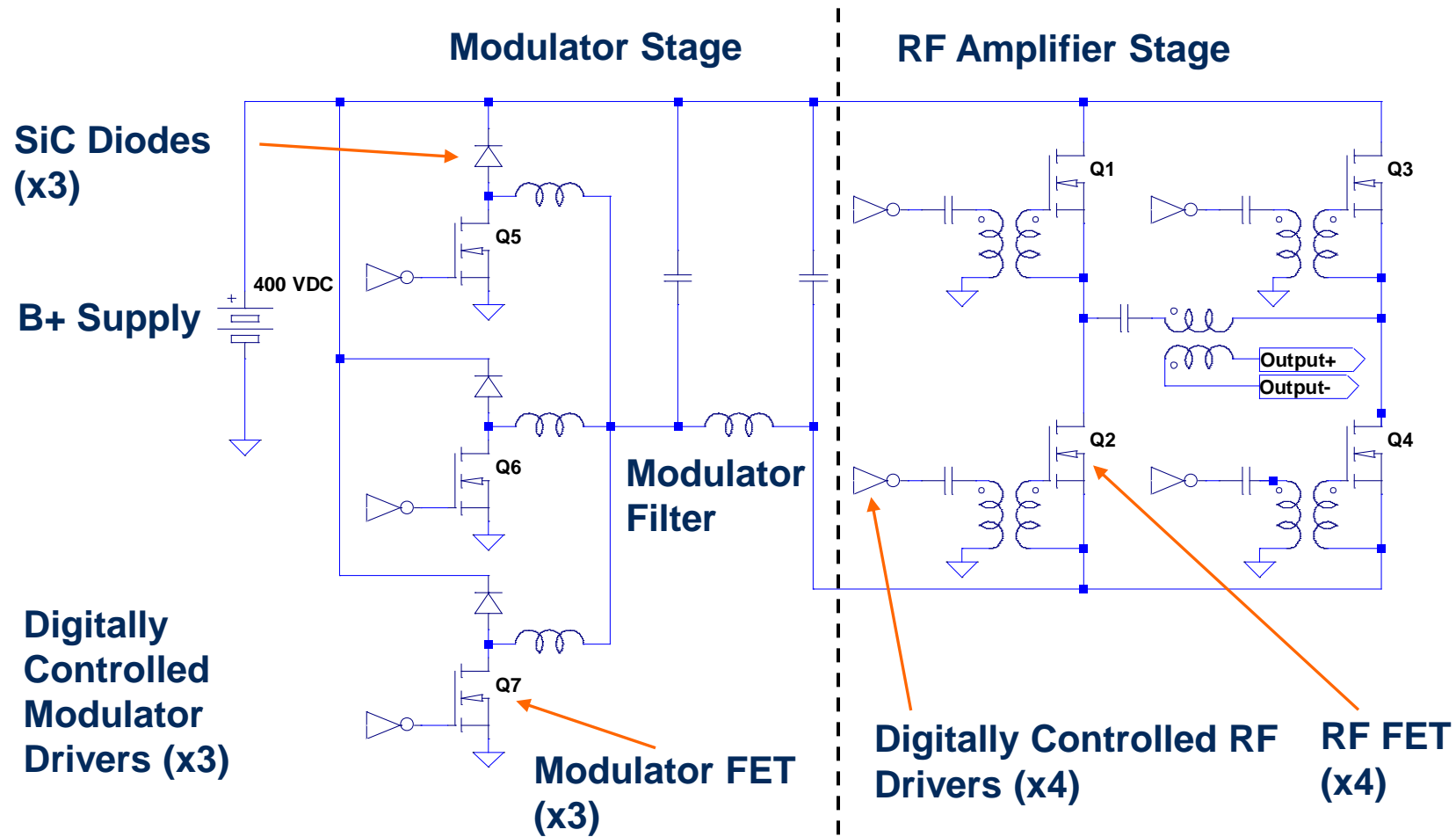
## NX Series

- Digital
- Robust
- Control

**40 Megawatts  
Deployed  
Worldwide!**



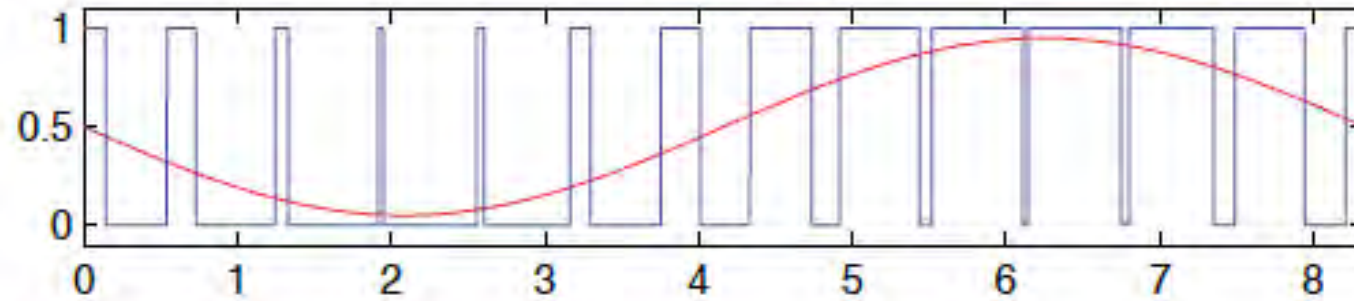
# RF Amplifier / Modulator Module



# 1.8 MHz Direct Digital Modulation

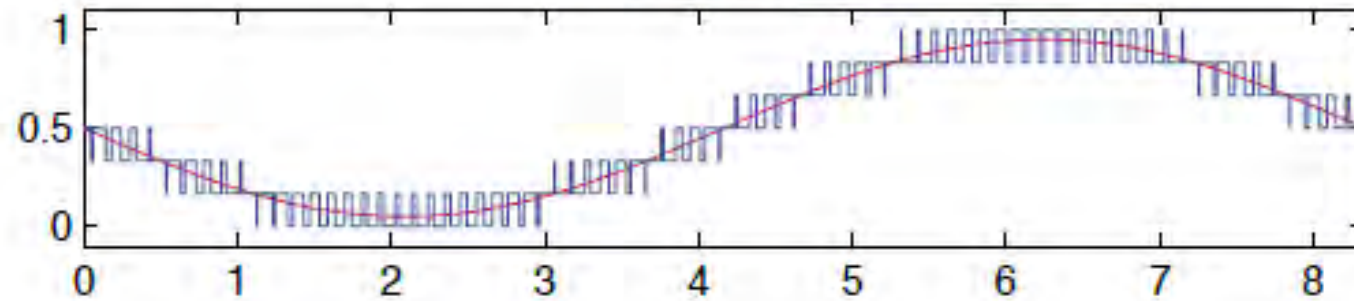
TRADITIONAL MODULATION

1 Phase Modulator



1.8 MEGA-SAMPLES/SECOND SIX PHASE DIRECT DIGITAL MODULATION

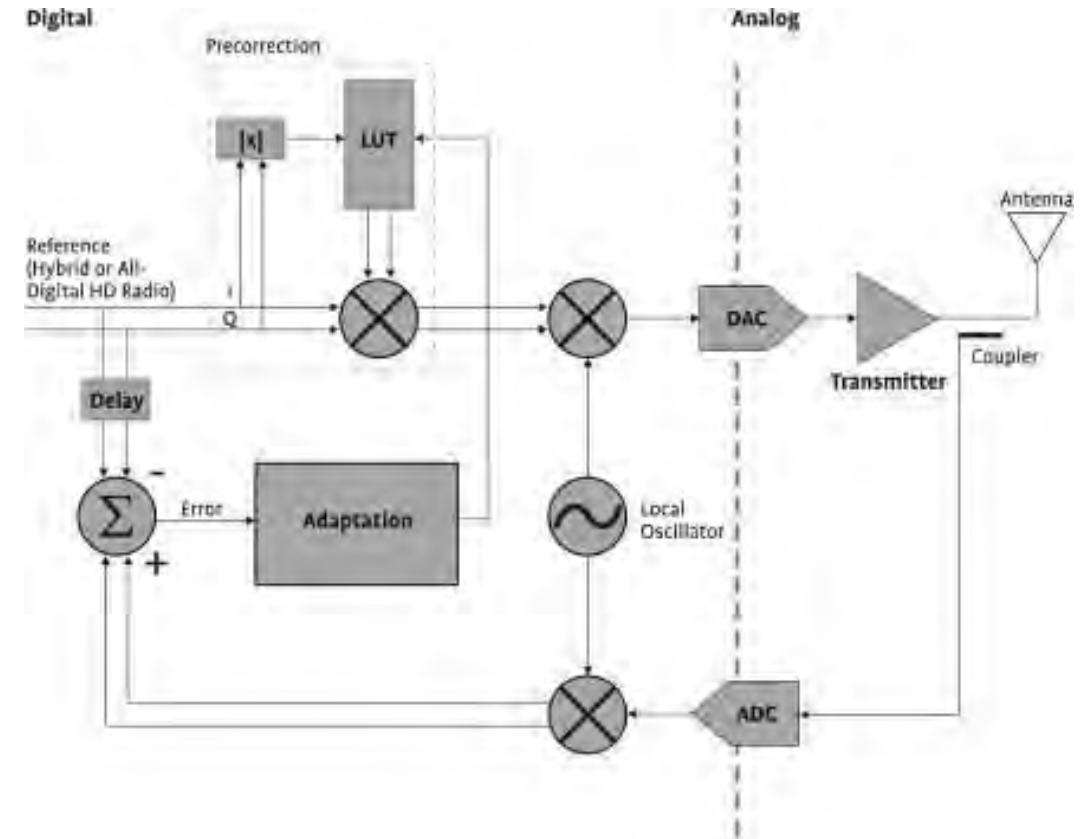
6 Phase Modulator



# Dynamic Pre-correction

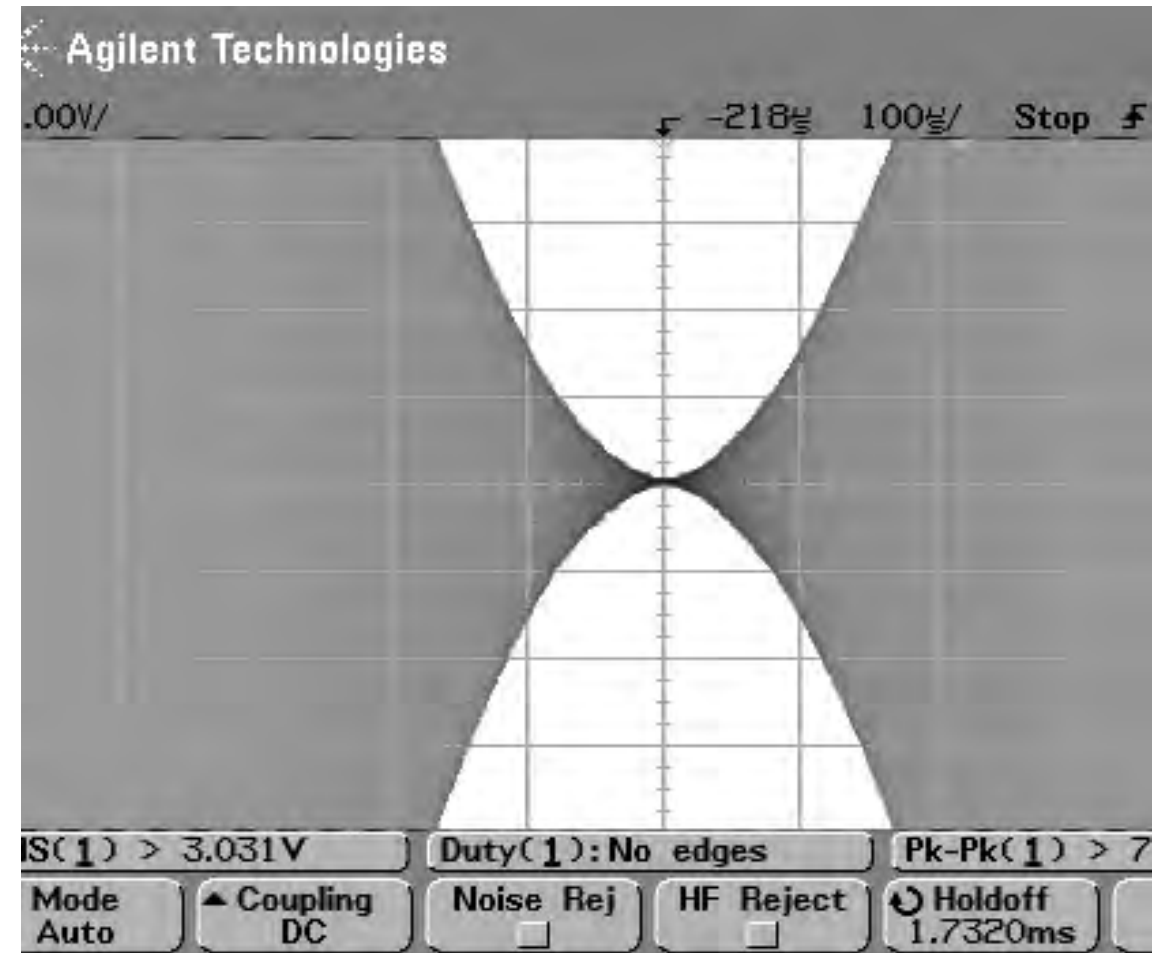
**“The NX Series of AM transmitters are the first high power AM transmitters to be provided with Dynamic Pre-correction”**

- Corrects primary forms of distortion
- Applies to analog + digital broadcasting
- More Linear – Clean Spectrum
- Adaptive envelope equalization
- Adaptive AM-AM correction
- Adaptive AM-PM correction



# Performance Results – AM

No visible distortion  
in the trough  
with AM to AM correction





# **NEW NX Series 1kW**

**Proven, Rack mountable, Digital**

# **NEW** NX Series 1kW

Power Chain

Digital

Efficient

Robust

Serviceable

Control

Long-Life Design

**Same Architecture**

**Same AUI**

**Same Digital polyphase**

**Same Front UI**

**Same Exciter**

# NEW NX Series 1kW

## Power Chain

Digital

Efficient

Robust

Serviceable

Control

Long-Life Design

# Meet the 250W building block of the NX 1



# NEW NX Series 1kW

## Power Chain

Digital

Efficient

Robust

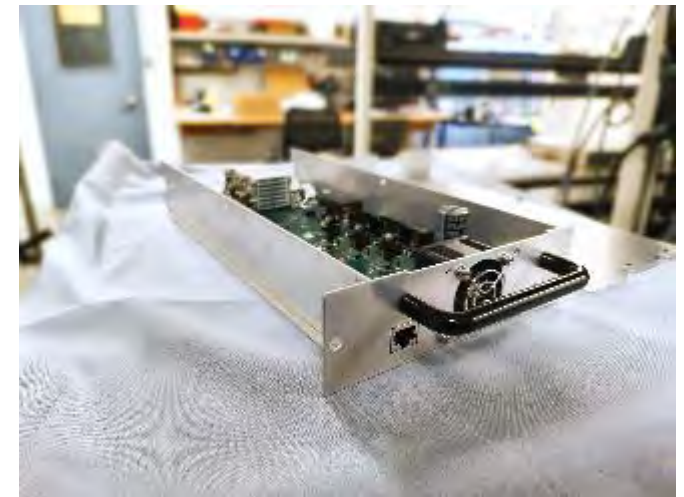
Serviceable

Control

Long-Life Design

**“NX1 is like an NX10 for lower power..  
250W modules instead of 2500W”**

- Integrated Class-D PA/modulator
- Superior efficiency
- No frequency dependent parts
- Dedicated fan/module



# NEW NX Series 1kW

## Power Chain

Digital

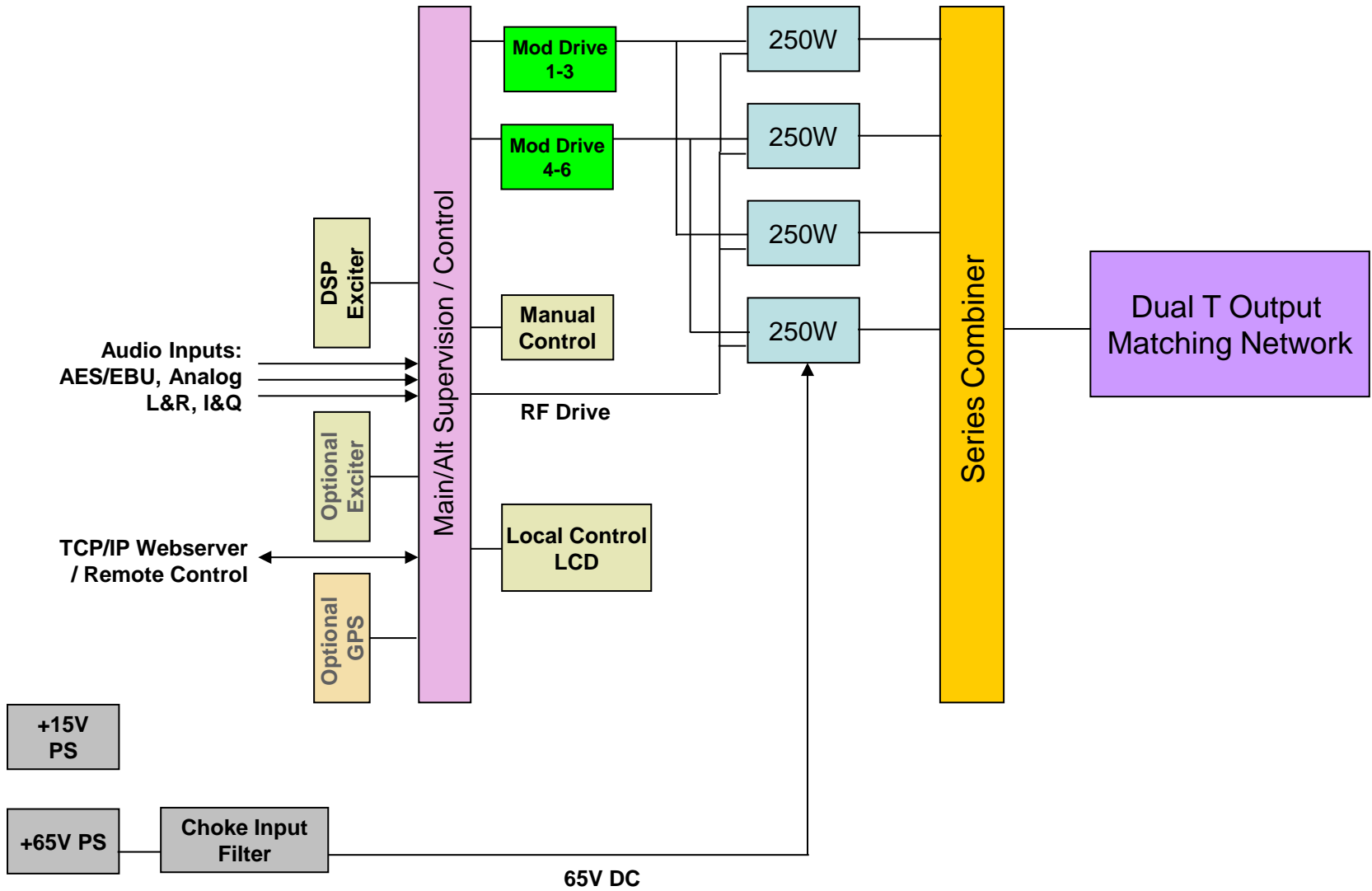
Efficient

Robust

Serviceable

Control

Long-Life Design



# NEW NX Series 1kW

Power Chain

Digital

Efficient

Robust

Serviceable

Control

Long-Life Design

## Digital Radio Leadership

- All Digital (MA3) & DRM
- Advanced PAPR and Linearization
- Digital I/Q signal feed
- All modes and bandwidths



# NEW NX Series 1kW

Power Chain

Digital

Efficient

Robust

Serviceable

Control

Long-Life Design

- High AC-RF Efficiency (78%)
- Save more with Modulation Dependant Carrier Level (MDCL)
  - 5 algorithms included
  - No discernable coverage or performance reduction.

Customers Save up to 40% with MDCL\*

**MDCL**  
**FREE with**  
**NX Series**



# NEW NX Series 1kW

Power Chain

Digital

Efficient

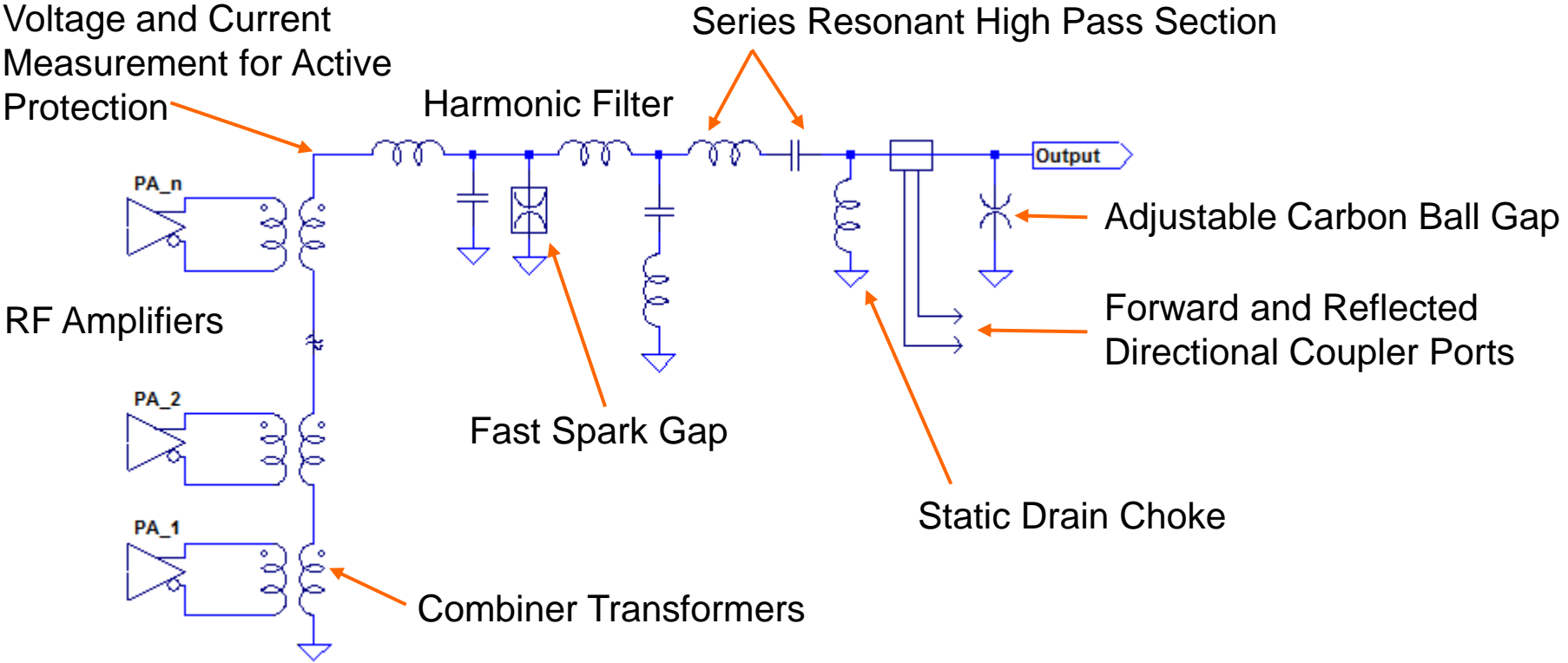
**Robust**

Serviceable

Control

Long-Life Design

## Combiner/Filter & Transient Protection



For multi station backup: Harmonic Filter Re-Tune in a Few Hours

# NEW NX Series 1kW

Power Chain

Digital

Efficient

Robust

**Serviceable**

Control

Long-Life Design

Front panel handles for installation support

Self supporting in rack via front panel screws



Front grill removeable with Phillips No. 2 screwdriver

Off the shelf air filter media is easy to clean and removeable while transmitter is in the rack

# NEW NX Series 1kW

Power Chain

Digital

Efficient

Robust

**Serviceable**

Control

Long-Life Design

4 Robust  
Hot-pluggable  
250W  
Power Modules

Over 50% nominal  
output power  
under module  
failure

On air module  
serviceability



All fans replaceable  
while transmitter is in  
the rack

Fingertip access  
to Titanium grade,  
96% efficient  
power supply



# NEW NX Series 1kW

Power Chain

Digital

Efficient

Robust

**Serviceable**

Control

Long-Life Design

Type N RF  
Output

Connectorized  
single phase  
(185-264 Vac)  
AC input

Easily accessible  
user inputs/outputs



# NEW NX Series 1kW

Power Chain

Digital

Efficient

Robust

**Serviceable**

Control

Long-Life Design

19" width

23" depth



"Fast frequency change"

# NEW NX Series 1kW

Power Chain

Digital

Efficient

Robust

**Serviceable**

Control

Long-Life Design

Optional redundant exciter



Familiar NX5/10 user interface

Compact 12 RU (21") height

# NEW NX Series 1kW

Power Chain

Digital

Efficient

Robust

**Serviceable**

Control

Long-Life Design

## Weight

AM1A 90.6 lbs

NX1 77 lbs

- All components installed

NX1 54 lbs

- Modules & PS/filtering removed

# NEW NX Series 1kW

Power Chain

Digital

Efficient

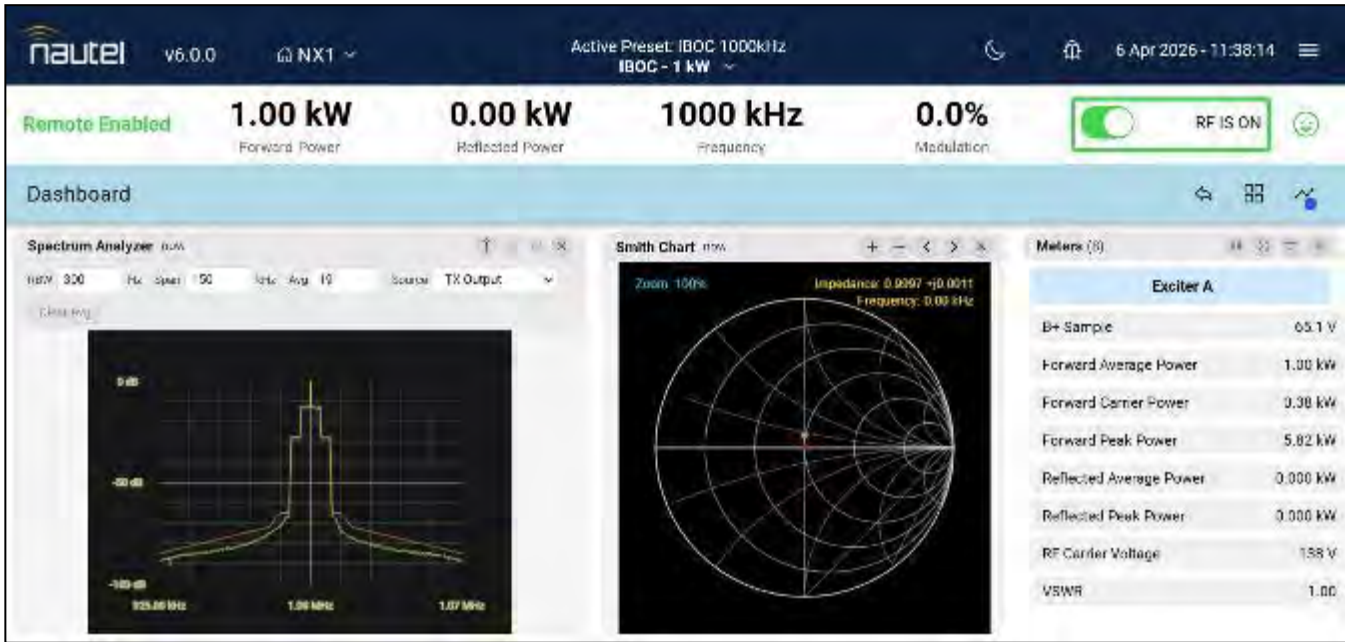
Robust

Serviceable

Control

Long-Life Design

## HTML Advanced User Interface (AUI)



Runs on any modern browser  
Low bandwidth usage



Built-in Scheduler on AUI

# NEW NX Series 1kW

Power Chain

Digital

Efficient

Robust

Serviceable

Control

Long-Life Design

## Supervision

- Interfaces 2 digital exciters (2nd optional)
- Precise, reliable RF & Audio drive
- Dual AES/EBU, Analog L&R, and I&Q inputs
- Optional GPS input card for ultimate frequency accuracy
- Parallel remote control



# NEW NX Series 1kW

Power Chain

Digital

Efficient

Robust

Serviceable

Control

Long-Life Design

## Native AoIP Streaming

- Support for Icecast + Shoutcast<sup>®</sup>\*
- Along with local + IP-uploaded audio files
- No need of external decoders or integrations

Serves as live backup source,  
ensuring uninterrupted broadcast.

# NEW NX Series 1kW

Power Chain

Digital

Efficient

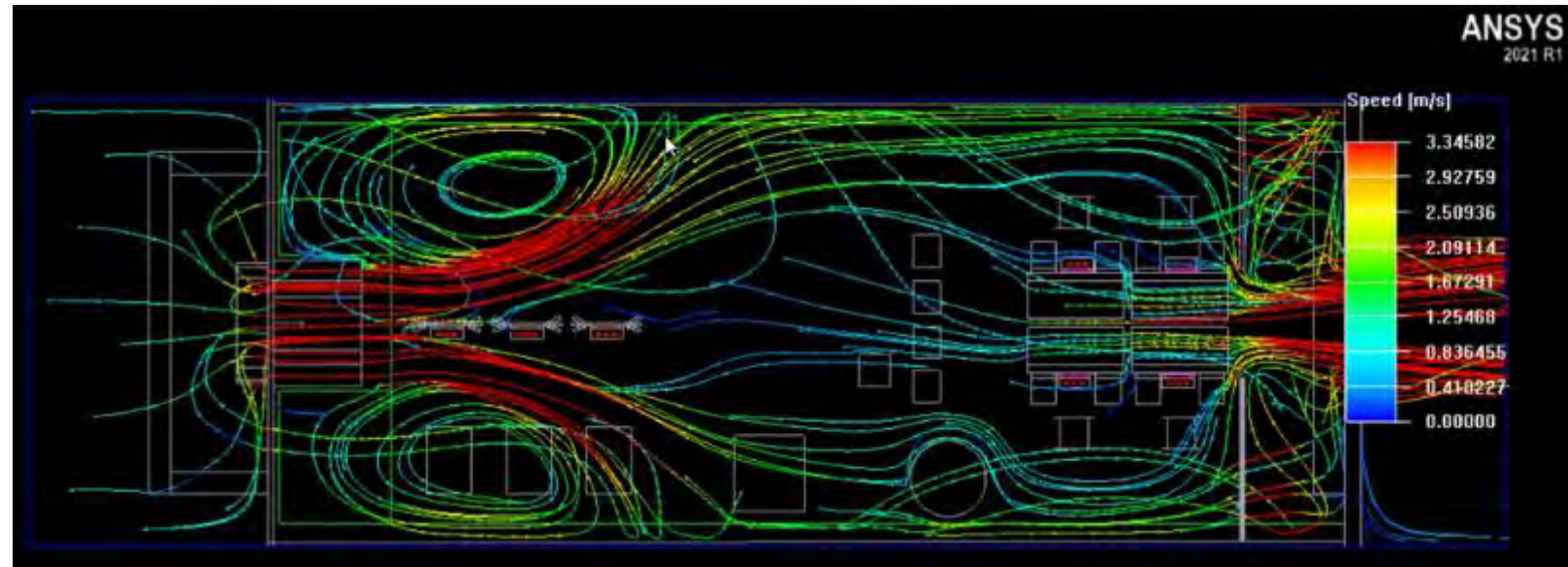
Robust

Serviceable

Control

Long-Life Design

## Rigorous design & device selection



# NEW NX Series 1kW:

Power Chain

Digital

Efficient

Robust

Serviceable

Control

Long-Life Design

## Dedicated Global Support – 24/7/365

Not all support is the same

**Support** for every radio broadcast transmitter we've deployed.

1969 → Pres.

nautel Worry-Free Transmission nautel.com

**150+** years of broadcast experience;

**10** dedicated radio support staff;

**2** up all night, so you can sleep

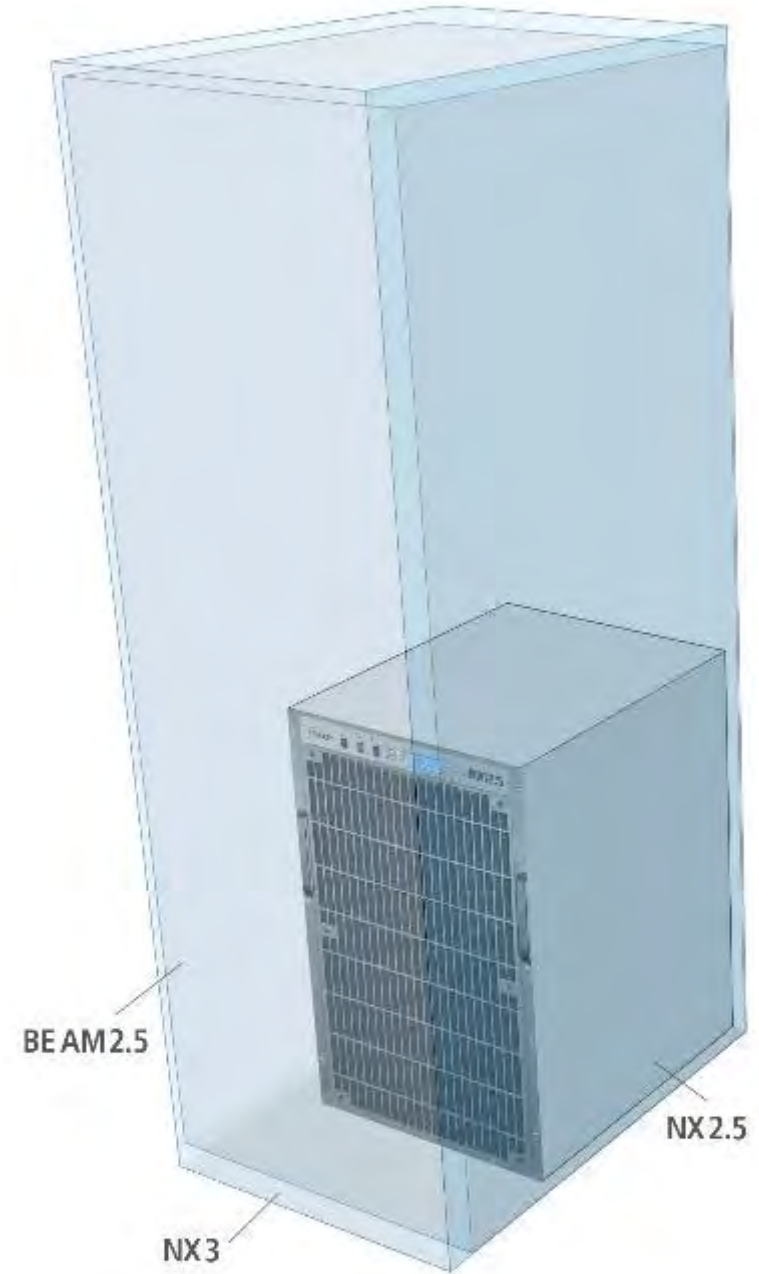


# **NEW** NX Series 2.5kW

**Proven, Rack mountable, Digital**

# NEW NX Series 2.5kW

- Rack-mountable
- 1 phase AC
- 10 Hot-pluggable Power Modules
- High AC-RF Efficiency (79%)
- Weight
  - 125lbs (all components installed)
  - 75lbs (power modules & power supply/filtering removed)
- Dimensions
  - 29.75"/17 RU H x 19" W x 23" D



# NEW NX Series Low Power Summary

- ✓ Proven NX Heritage
- ✓ Compact, rack-mount
- ✓ Digital: MA3/DRM
- ✓ Front-accessible Modules
- ✓ Fingertip-access PS
- ✓ AUI: HTML Tx Control
- ✓ Advanced Instrumentation
- ✓ MDCL Power Savings
- ✓ Long service-life
- ✓ Efficient



**Availability: Q4 2026**

**[nautel.com/nx-low-power](http://nautel.com/nx-low-power)**

# Online Information

- **Nautel Waves Newsletter**

<https://www.nautel.com/newsletter/>

## **Webinars**

<https://www.nautel.com/webinars/>

## **YouTube**

<https://www.youtube.com/user/NautelLtd>

- **NX Series Product Page**

<https://www.nautel.com/products/am-transmitters/nx-low-power>

# Questions?

# Thank You!

[www.nautel.com](http://www.nautel.com)

